

# **Tru-VEND<sup>®</sup>** **VENDING MACHINES**

**USER'S MANUAL**  
Version: 09.02

“SHE SELLS, YOU EARN”



 **ELEKTRAL<sup>®</sup>**  
ELEKTROMEKANİK SAN. ve TİC. A.Ş.

**European Branch:**

Elektral Businesspool GmbH  
Hatzper Bogen 27,  
D-45133 Essen  
GERMANY  
e-mail : [elektral@elektral.com](mailto:elektral@elektral.com)

**Headquarters & FACTORIES:**

Elektral Elektromekanik A.S.  
Ataturk Organized Industrial Zone  
M.K.Ataturk Blv.23 Cigli  
35620 Izmir -TURKEY  
Phones : +90(0) 232-376 7300  
Fax : +90(0) 232-376 7030  
e-mail : [elektral@elektral.com.tr](mailto:elektral@elektral.com.tr)

[www.elektral.com.tr](http://www.elektral.com.tr)



## INTRO

**Dear User;**

ELEKTRAL Inc. goes on with its research and development activities under ISO 9001:2000 QMS procedures, production in conformity with CE-European Union Norms with the strong belief that a real expansion can only be possible with a global thinking and this understanding, motivates its personnel.

Our Hi-Tech products are being exported to Four Continents (Europe, Asia, America and Africa) and many different countries. The ThruScan Metal Detector Series had become a World Brand in Metal Detection and Electronic Security industry with the motto "Walk To Peace!". Our original and OEM products are being distributed worldwide by our International Distributors. Besides that, "Elektral Worldwide Cooperation" always continues to grow. Elektral also have regular and continuous relationships with many governmental and private companies in our region. Awarded the 25 Anniversary and the Employment Growth Ratio by EBSO the Chamber of Industry with continuous R&D projects being supported by TUBITAK (Turkish Scientific Research Council).

We dedicate ourselves to manufacture Top Quality, High-Tech Products in global competition. To reach our goals we are leading with our R&D activities.

***ELEKTRAL Electronic Box Vending Machine, has been produced to service 24 hours a day with practical use which may ease your life.***



**Elektral Products,  
Are produced in environment friendly facilities  
Causing no harm to the nature and living creatures.**

- Made in Turkey
- Alterations Reserved
- No claims can be accepted by our firm regarding the applications of this instrument from the second or third parties.
- All rights are Reserved

# ELECTRONIC BOX VENDING MACHINE USAGE INSTRUCTIONS

## SPECIFICATIONS

- **Electronic Coin Mechanism compatible to all currencies** can accept 16 different coins (or only one type of Introduced Coin for economy..)
- **4 Columns / 4 Selections Box Vending Machine** can sell 4 different size boxes (adjustable column sizes as per the Product Box Height/Width/Depth)
- **4 different Price Settings availability for 4 different Products**
- Operation with Mains Supply and/or operation with easy to replace Optional Rechargeable Battery Pack (approx. 1 week operation on Battery Mode)
- **Bi-Color EMPTY/LOADED Indicator (Green/Red)**
- User Friendly Operation (Insert Money>>Select Product>>Collect Dispensed Product)
- Wall Mount Space Saving Design
- Large Advertising Space
- **Sturdy heavy duty construction with heavy gauge sheet metal cabinet and pickproof lock. Durable and Attractive appearance.**
- **Visual "Product Available" LED indicators (when you insert Money and your credit becomes sufficient, Green Led will blink for the available Products)**
- Removable and Interchangeable hoppers for easy loading and machine mounting
- **Modern design enabling EASY AND QUICK LOADING**
- **MASTER KEY for 50+ pcs lot orders enabling simplified field activities (One KEY for 50 Machines)**
- Standard Beige & Cream **RAL 1013**, different RAL Colors Applicable for Orders 50+ pcs
- OEM Supply and Production availability for quantity orders.
- **2 Years Elektral A.S. Warranty & 10 Years Parts Supply Ability**

## Technical Specifications

Operation : Electro-Mechanic Operation

- 90-260 V AC 50-60 Hz Max. 10 W
- Operation Temperature: -20°C to +70° %95 Non Condensing Humidity

## DIMENSIONS:

400 (W) x 655 (H) x 250 (D) mm

Column Height: 460 mm

Weight: ~ 27 kg



The arrow-end lightning symbol inside the equilateral triangle informs that in the context of the product, there is enough amount of 'uninsulated' dangerous voltage to cause an electric shock.



Only use the vending machine on Earthed Electrical Supply.

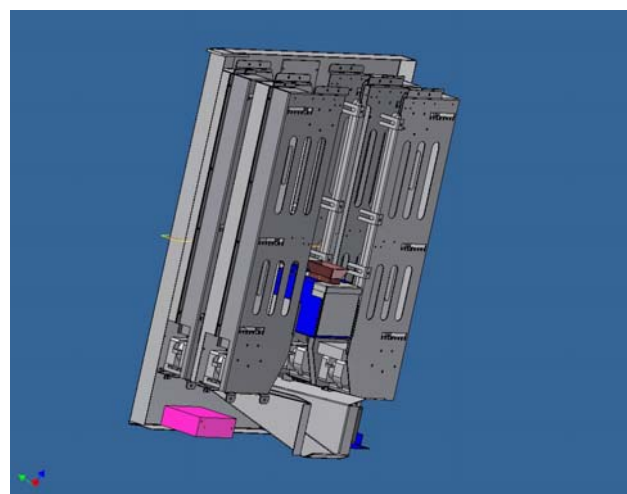
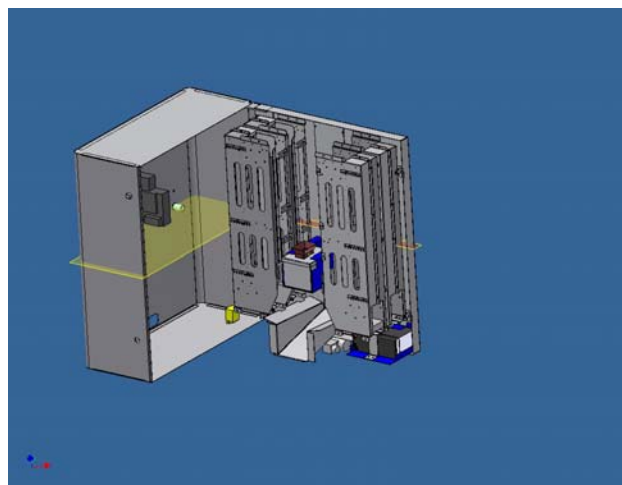


The exclamation mark inside the equilateral triangle informs the user that there are important instructions of usage and information inside the booklets given with the equipment.

**OPENING THE ELECTRONIC BOX VENDING MACHINE BY UNAUTHORIZED PERSONS CAN BE DANGEROUS AND IS PROHIBITED**

## LOADING YOUR VENDING MACHINE

- 1) Please go near the Machine with your products packed in appropriate box sizes which will be sold in the Vending Machine.
- 2) Open the Vending Machine by using the Key.
- 3) Arrange the Columns for your Product Sizes. There is a moveable controller inside the Columns for easy adjustment of Height, Width and Depth.
- 4) After adjusting, please load the columns with the boxes.
- 5) Repeat the initial 4 Steps for each column.
- 6) After loading all columns please make sure you did not leave an object in the machine. Shut the cover softly and lock your vending machine.
- 7) After product loading, all Empty/Full LED Indicators should be showing Green.
- 8) To make sure all is Correct; you may test the machine by inserting Money and try buying one from each Column.
- 9) After testing replace the products and start using the Machine.
- 10) The Machine will show a Red Led Light when the Product column is either empty or you have forgotten to load Products to indicated Column.
- 11) Please make sure all columns are loaded before leaving the machine for automated sales.



Specified min / max Box sizes must be selected

Small Box Size  
Min. 10 x 50 x 75 mm

Large Box Size  
Max. 45x70x130 mm



## STARTING THE VENDING MACHINE

The device will automatically turn itself on with power. The panels in front of the Machine will show Green when the product is available, and Red when the machine is empty. If the products are finished while the device is in operation, the green LED will turn RED.

## PRICE SETTINGS

The menu has been simply designed and is user-friendly. Factory Settings of the Machine are;

| <u>Panel Number</u> | <u>Price</u> |
|---------------------|--------------|
| 1                   | 0.5 TL       |
| 2                   | 1.0 TL       |
| 3                   | 1.5 TL       |
| 4                   | 2.0 TL       |

To change these settings;

- 1) Open the Cover and press the small button on the Control Card. After pressing the button, the Red light will start blinking.
- 2) To change the price, press the selection button for the desired product. You should see the light flashing faster than the other LED's.
- 3) To price the product, insert the Coin and/or Coins until you reach the desired Product Price and press the button again. After pressing the button, you will see all LEDs blinking at the same speed which means you have done the pricing for the selection. Repeat this process for all Selections.
- 4) To get the device back to normal Operation Mode, press the button on the control card again.
- 5) You have done the Price Settings. Please test your machine. You may use Price Labels for efficient sales through your machine.

## PURCHASING FROM THE VENDING MACHINE

- 1) Vending Machine will indicate the loaded Columns (Available Products) with Green LEDs and RED LEDs for Products which are over.
- 2) **To increase the sales, the owner should organize the Presentation (Pictures & Stickers) Simple and easy understanding for the customers.**
- 3) After Money is inserted, the Vending Machine indicates a blinking green light for the products your money can buy. If you are in position to buy more than one product (multiple blinking Green LEDs), simply choose the desired and wait for the product to fall down into the dispense hall.
- 4) **Simply get the product from the dispense hall using your hand.**

**FULL WARRANTY CERTIFICATE**

Your Unit, Model : .....  
Serial/Model No : .....

Which you purchased on \_\_\_/\_\_\_/20\_\_\_ is hereby warranted against defect in workmanship and material for a period as follows: \_\_\_ YEARS

1. Within the Warranty period, ELEKTRAL will repair or replace, without charge, any part or parts that prove to be defective. The defective instruments should be returned, accompanied by the attached SERVICE OR REPAIR CARD to ELEKTRAL Izmir Ataturk Industrial Zone M.K. Ataturk Blv. 23 Cigli 35620 Izmir-Turkey where the overhaul is performed also.
2. Upon expiration of the Warranty, ELEKTRAL A.S. further guarantees to repair this merchandise at a cost of the current listed ELEKTRAL price.
3. This warranty is void if
  - the instrument has been damaged or broke down through misuse
  - instrument has been altered or tampered with in any way
  - instrument has been damaged through accident, misuse or negligence
  - the seal, ties or stickers on the instrument has been broken
  - damage or defects occur because of through lightning and fire
  - replacement or repair is necessitated be loss or damage resulting from any cause beyond the control of ELEKTRAL
  - the instrument has been used against the instructions stated in the user’s manual
  - your warranty has not been among our files by your request with “Warranty Information Card”
  - only ELEKTRAL A.S. is authorized to confirm above mentioned particulars.
  - all price and costs are EXW Izmir-TR. All the transport or travel costs are bared by the buyer.
4. ELEKTRAL is not to be labelled for loss of other damage allegedly resulting from defects in its products.
5. This Warranty gives you specific legal rights. Please Include Model Number and purchase date in correspondence regarding this instrument.

All Warranty Services are at our Factory. All transportation risks and costs to and pro our Factory belongs to Customer.

*Thank you for selecting a product manufactured by ELEKTRAL A.S. Before using your new item please take a minute to read and fill out the forms on the reverse side of this card.*

*The Warranty Information Card helps us learn more about you and what you purchase. From this information come improvements and new products for you, our valued customers. Please return this card within 10 days of purchase.*

*The full Warranty Certificate tells you that we stand behind our products and will repair this item as long as you own the product, per the terms of the warranty certificate.*

*The Service or repair card is your way of communicating with our Customer Service Department should a problem occur. It helps us to quickly service your product and return it as soon as possible. Please complete and include this card whenever you return a product again.*

*Thank you once again for selecting our product. We hope this will be one of the many ELEKTRAL products you will own.*

Date/Place Purchased : .....  
 Invoice Date, No : .....  
 Dealer Company’s Title : .....  
 Address : .....  
 Telephone-Fax : .....  
 E-mail : .....  
 DEALER COMPANY : .....



Seal/Signature

Seal/Signature